



**3D DESIGN - 3D RAPID PROTOTYPING - PATENT PROTECTION -  
MANUFACTURING SOLUTIONS -  
SALES & MARKETING DOCUMENTATION**

**PRODUCT DEVELOPMENT**

We provide a product assessment and give our professional advice - FREE INITIAL CONSULTATION

**PROJECT EVALUATION**

All projects are appraised and valued engineered to reduce production costs.

**INVENTOR 3D DESIGN & MODELLING.**

We take your ideas and make it a reality with a fully assembled and detailed model.

**PRODUCTION EVALUATION**

The model can be studied from every angle, production attributes studied for ease of manufacture and from this a full bill of materials produced

**RAPID PROTOTYPED.**

The model can be produced in house that same day – keeping your innovation secure.

**PATENT ATTORNEY.**

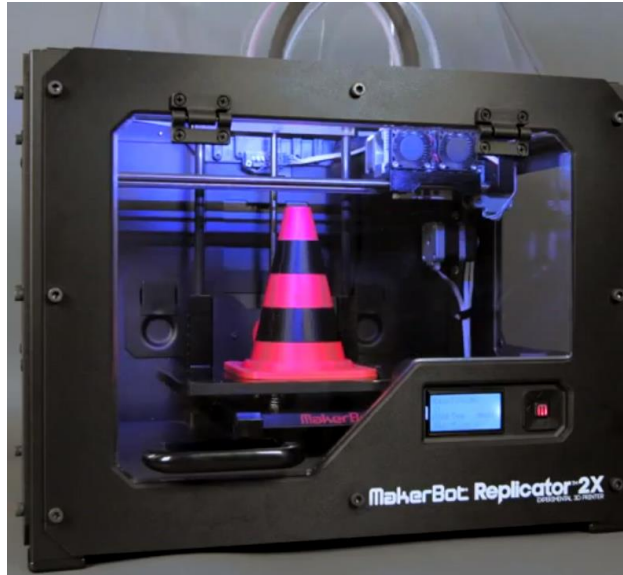
Our full service benefits the Patent Attorney as we have an intimate working knowledge of your idea and can convey this to the attorney.

**MANUFACTURE.**

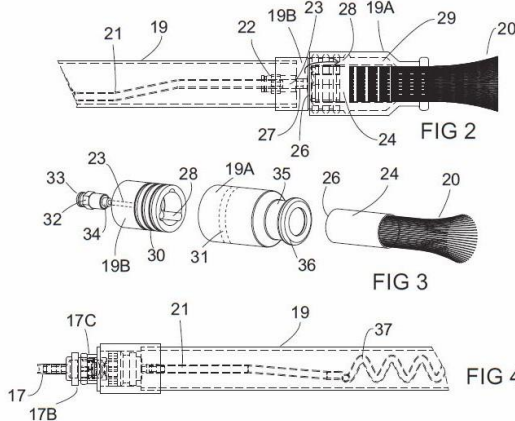
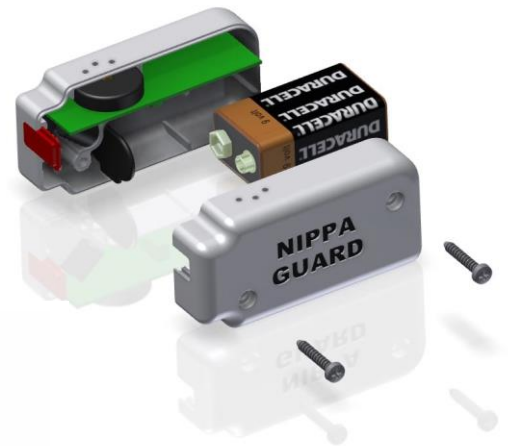
Throughout our client involvement and our association with the Queensland Inventor Association we have experience with a range of supply options for your product.

*PAUL COOPER*

4 Magnum Court,  
Mount Cotton, Qld 4165  
Phone +61 7 3459 1224  
Mob +61 423 050 845  
paul@sidc.com.au  
www.sidc.com.au



**3D Rapid Prototype 'Printer' produces the replica of your design for evaluation and potential patent investigation**



2/22

